

O₂ ISM Qualification Kit

Instruction manual Bedienungsanleitung Instructions d'utilisation



O₂ ISM Qualification Kit
52 300 440 F

METTLER TOLEDO

English	Page	3
Deutsch	Seite	29
Français	Page	55

O₂ ISM Qualification Kit

Instruction manual

ISM and InPro are trademarks of the METTLER TOLEDO Group.

Contents

	Page
1 Safety	5
2 Important notes	6
2.1 Notes on operating instructions	6
2.2 Intended use	6
2.3 Safety instructions	7
2.4 Environmental protection	9
2.5 Examples of some typical applications	9
2.6 Use in Ex-zones	10
2.7 Ex-classification ATEX	11
2.7.1 Introduction	11
2.7.2 Rated data	11
2.7.3 Special conditions	12
2.8 Ex-classification FM approved	13
2.8.1 Introduction	13
2.8.2 Rated data	14
2.8.3 Special conditions	14
2.8.4 Applied Standards	15
3 Product Description	16
4 Operation	17
4.1 Connecting the transmitter to the O ₂ ISM Qualification Kit	17
5 Product Specification	20
5.1 Simulator, Pre-registered Values	20
5.2 Sensor Diagnostics Data	21
5.3 Warnings and Alarms	23
6 Installation	25
6.1 Dimensions	25
7 Ordering Information	26
8 Protocol	27

1 Safety

This instruction manual lists the main points of how to use the **O₂ ISM™ Qualification Kit**, from METTLER TOLEDO for best results and in the intended manner.

This **instruction manual**, and the **safety requirements** in particular, **must be observed** by the **operator and all other persons** working with this equipment.

The instruction manual must always be stored close at hand, in a place accessible to all people working with an ISM O₂ sensor and the O₂ ISM Qualification Kit.

Warning notices and symbols

This instruction manual identifies safety instructions and additional information by means of the following symbols:



This symbol draws attention to safety instructions and **warnings of potential danger** which, if neglected, could result in injury to persons and/or damage to property.



This symbol identifies **additional information and instructions** which, if neglected, could lead to defects, inefficient operation and possible loss of product.

2 Important notes

2.1 Notes on operating instructions

These operating instructions contain all the information needed for safe and proper use of the O₂ Qualification Kit.

The operating instructions are intended for personnel entrusted with the operation and maintenance of oxygen sensors. It is assumed that these persons are familiar with the equipment in which the sensors are installed.

Warning notices and symbols

This instruction manual identifies safety instructions and additional information by means of the following symbols:



This symbol draws attention to **safety instructions and warnings of potential danger** which, if neglected, could result in injury to persons and/or damage to property.



This symbol identifies **additional information and instructions** which, if neglected, could lead to defects, inefficient operation and possible loss of production.

2.2 Intended use

The METTLER TOLEDO O₂ ISM Qualification Kit is intended solely for the qualification of O₂ measuring systems as described in this instruction manual.

Any use of this kit which differs from or exceeds the scope of use described in this instruction manual will be regarded as inappropriate and incompatible with the intended purpose.

The manufacturer/supplier accepts no responsibility whatsoever for any damage resulting from such improper use. The risk is borne entirely by the user/operator.

Other prerequisites for appropriate use include:

- Compliance with the instructions, notes and requirements set out in this instruction manual.
- Acceptance of responsibility for regular inspection, maintenance and functional testing of all associated components, also including compliance with local operational and plant safety regulations.
- Compliance with all information and warnings given in the documentation relating to the products used in conjunction with the sensor (housings, transmitters, etc.).
- Observance of all safety regulations governing the equipment in which the sensor is installed.
- Correct equipment operation in conformance with the prescribed environmental and operational conditions, and admissible installation positions.
- Consultation with METTLER TOLEDO Process Analytics in the event of any uncertainties.

2.3 Safety instructions



- The plant operator must be fully aware of the potential risks and hazards attached to operation of the particular process or plant. The operator is responsible for correct training of the workforce, for signs and markings indicating sources of possible danger, and for the selection of appropriate, state-of-the-art instrumentation.
- It is essential that personnel involved in the commissioning, operation or maintenance of these simulators or of any of the associated equipment (e.g. housings, transmitters, etc.) be properly trained in the process itself, as well as in the use and handling of the associated equipment. This includes having read and understood this instruction manual.

- The safety of personnel as well as of the plant itself is ultimately the responsibility of the plant operator. This applies in particular in the case of plants operating in hazardous zones.
- The oxygen sensor simulators and associated components have no effect on the process itself and cannot influence it in the sense of any form of control system.
- Where specific safeguards such as locks, labels, or redundant measuring systems are necessary, these must be provided by the plant operator.
- A defective simulator must neither be installed nor put into service.
- No modifications to the simulators and the accessories are allowed. The manufacturer accepts no responsibility for damage caused by unauthorized modifications. The risk is borne entirely by the user.
- When using cables for simulator connection not supplied and recommended by the manufacturer the following standards need to be considered:
 - US National Electrical Code® (ANSI/NFPA 70 [NEC®]), where applicable.
 - Canadian Electrical (CE) Code® (CEC Part 1, CAN/CSA-C22.1), where applicable.
- For guidance on US installations, see ANSI/ISA-RP12.06.01, Installation of Intrinsically Safe Systems for Hazardous (Classified) Locations.
- Control room equipment connected to intrinsically safe associated apparatus in the US should not use or generate more than the specified Um of the associated apparatus.
- Care must be taken during installation to avoid impacts or friction that could create an ignition source.
- Tampering and replacement with non-factory components may adversely affect the safe use of the system.



- Insertion or withdrawal of removable electrical connectors or modules is to be accomplished only when the area is known to be free of flammable vapors.
- **WARNING!**
INTRINSICALLY SAFE APPARATUS CAN BE A SOURCE OF IGNITION IF INTERNAL SPACINGS ARE SHORTED OR CONNECTIONS OPENED.
- **WARNING!**
DO NOT OPEN WHEN AN EXPLOSIVE ATMOSPHERE IS PRESENT.
- **WARNING!**
SUBSTITUTION OF COMPONENTS MAY IMPAIR INTRINSIC SAFETY.
- **WARNING!**
SUBSTITUTION OF COMPONENTS MAY IMPAIR SUITABILITY OF THE EQUIPMENT.
- **WARNING!**
FOR CONNECTION ONLY TO NON-FLAMMABLE PROCESSES.
- **WARNING!**
TO MAINTAIN THE ENCLOSURE IP66 RATING, THE CONNECTOR MUST BE FULLY ENGAGED.

2.4 Environmental protection

Waste electrical products should not be disposed of with household waste. Please recycle where facilities exist. Check with your Local Authority or retailer for recycling advice.



2.5 Examples of some typical applications

Below is a list of examples of typical fields of application for the oxygen sensor simulators. This list is not exhaustive:

- Tool for qualification of O₂ measuring systems
- Service tool for quick checks and loop troubleshooting

2.6 Use in Ex-zones



Attention!

For an installation in Ex-zones please read the guidelines following hereafter:



Ex-classification ATEX

⊕ II 1/2G Ex ia IIC T6...T3 Ga/Gb

⊕ II 1/2D Ex ia IIIC T26 °C...T161 °C Da/Db

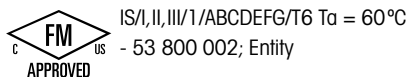
Number of the test certificate:

SEV 14 ATEX 0169X

IECEX SEV 14.0026X

CML 22 UKEX 2212X

Ex-classification FM approved:



Project ID: 3021227

FM certificate number: FM16US0034X
FM18CA0021X

2.7 Ex-classification ATEX

2.7.1 Introduction

According to Directive 2014/34/EU¹⁾ (ATEX 114) Appendix I, oxygen ISM sensor simulators are devices group II, category 1/2G and according to RL 99/92/EG²⁾ (ATEX 137) may be used in zones 0/1 or 1/2 or 1 or 2 and gas groups IIA, IIB and IIC that are potentially explosive due to combustible substances in above stated temperature classes.

For use / installation, the requirements of EN 60079-14 must be observed.

According to Directive 2014/34/EU¹⁾ (ATEX 114) Appendix I, oxygen ISM sensor simulators are devices group II, category 1/2D and according to RL 99/92/EG²⁾ (ATEX 137) may also be used in zones 20/21 or 21 or 22 that contain combustible dusts.

The digital sensor circuit is part of a common intrinsically safe system and is for operation connected to a separately certified transmitter.

The digital sensor circuit as part of an intrinsically safe system is isolated from the not-intrinsically safe electric circuits up to a maximum rated voltage of 375 V and from grounded parts up to a maximum rated voltage of 30 V.

2.7.2 Rated data

Measuring circuit:

Intrinsically safe ignition protection class Ex ia IIC only for connection to a certified intrinsically safe circuit.

Digital O₂ oxygen sensor simulator maximum values:

Two-wire current circuit: $U_i \leq 16 \text{ V}$ $L_i = \text{negligible}$
 $I_i \leq 30 \text{ mA}$ $C_i = \text{negligible}$
 $P_i \leq 50 \text{ mW}$

¹⁾ For UK statutory Requirements SI 2016 No. 1107

²⁾ For UK regulations 7 and 11 of the Dangerous Substances and Explosive Atmospheres Regulations 2002 (DSEAR).



Note: The above maximum values are each the total of all individual circuits of the associated intrinsically safe power supply and transmitter.

2.7.3 Special conditions

- The relationship between the maximum permissible ambient or media temperature and temperature class, for category 1G applications, zone 0, is shown in the following table:

Temperature class	Max. environment resp. media temperature
T 6	68 °C
T 5	80 °C
T 4	108 °C
T 3	160 °C

- The relationship between the maximum permissible ambient or media temperature and temperature class, for category 1G applications, zone 0, is shown in the following table:

Temperature class	Max. environment resp. media temperature
T69°C	68 °C
T81°C	80 °C
T109°C	108 °C
T161°C	160 °C

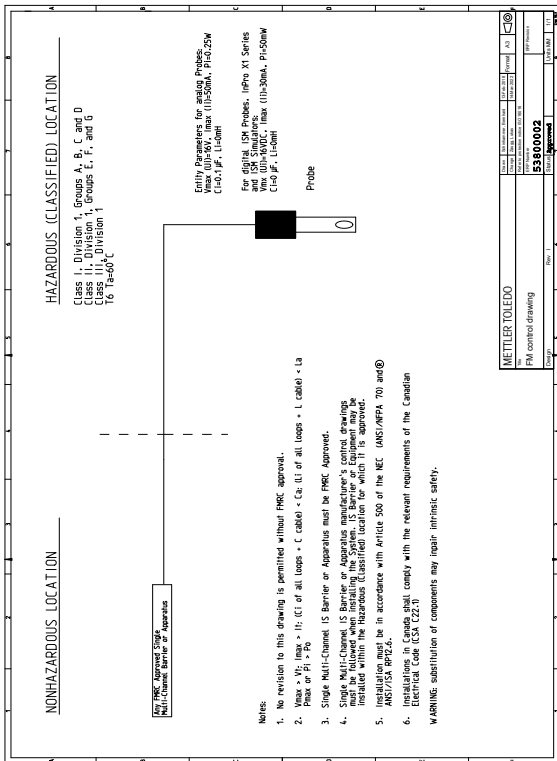
- The capacitance and inductance of the connecting cable has to be considered.

2.8 Ex-classification FM approved



2.8.1 Introduction

The following FM control drawing and the standards listed in section 2.7.4 must be observed, where applicable:



2.8.2 Rated data

For rated data please observe section 2.7.2.

2.8.3 Special conditions

In type of protection intrinsically safe apparatus, the analytical probes (oxygen ISM sensor simulators) equipment is designated with the following specific conditions of use.

1. The oxygen ISM sensor simulators shall be installed in compliance with the enclosure, mounting, spacing and segregation requirements of the ultimate application, including a tool removable cover.
2. Process temperature no greater than +130 °C.
3. Potential Electrostatic Charging Hazard – To prevent the risk of electrostatic sparking, the non-metallic surface should only be cleaned with a damp cloth.

2.8.4 Applied Standards

United States Standards

Titel	Number	Issue Date
Approval Standard for Electrical Equipment for Use in Hazardous (Classified) Locations – General Requirements.	FM Class 3600	2022
Approval Standard for Intrinsically Safe Apparatus and Associated Apparatus for Use in Class I, II & III, Division 1, Hazardous (Classified) Locations.	FM Class 3610	2021
Approval Standard for Electrical Equipment for Measurement, Control and Laboratory Use.	FM Class 3810	2021
Explosive Atmospheres – Part 0: Equipment – General Requirements.	ANSI/UL 60079-0	2022
Explosive Atmospheres – Part 11: Equipment Protection by Intrinsic Safety “i”.	ANSI/UL 60079-11	2018
Safety Requirements for Electrical Equipment for Measurement, Control, and Laboratory Use – Part 1: General Requirements.	ANSI/UL 61010-1	2018

Canadian Standards

Titel	Number	Issue Date
Explosive Atmospheres – Part 0: Equipment – General Requirements.	CAN/CSA-C22.2 No. 60079-0	2019
Explosive Atmospheres – Part 11: Equipment Protection by Intrinsic Safety “i”.	CAN/CSA-C22.2 No. 60079-11	R2018
Safety Requirements for Electrical Equipment for Measurement, Control, and Laboratory Use – Part 1: General Requirements.	CAN/CSA-C22.2 No. 61010-1	R2017

3 Product Description



The O₂ ISM Qualification Kit is a set of 5 different sensor plug-in heads and allows the simulation of the following sensor types with predefined values and errors (not changeable by the user) to assure safe use as qualification tool:

- InPro™ 6850 i
- InPro 6900i
- InPro 6950 i

Each sensor plug-in head corresponds to one of the mentioned METTLER TOLEDO sensors and delivers the complete data of an ISM sensor.

The O₂ ISM Qualification Kit has basically 2 functions:

- Tool for the qualification of measuring systems.
- Service tool for quick checks and loop trouble-shooting.

The data indicated (primary/ secondary) and transmitted are as follow:

- Main measured value
- Temperature
- Error message according to indication.

All standard process and wear data of the sensor are also available in each plug-in head and are also sent to the transmitter or the PLC as well as to the iSense software.

4 Operation

4.1 Connecting the transmitter to the O₂ ISM Qualification Kit

To qualify your measuring systems proceed as follows:

Please refer to the transmitter instruction manual for the exact description of the transmitter operation.

Step 1: Disconnect the ISM sensor from the measuring point.

Step 2: Connect one of the O₂ ISM Qualification Kit plug-in heads to the transmitter via the standard connecting cable.

Step 3: The preregistered values then are displayed on the transmitter.

Step 4: Check if the displayed values by the transmitter or the PLC correspond to the predefined fixed values of the O₂ ISM Qualification Kit plug-in head.



See certification for exact values and tolerances.

Step 5: In case you are using the Error simulators, so check that the appropriate errors are correctly displayed by the transmitter or the PLC.

Step 6: Report results into the attached spreadsheet "Protocol for O₂ ISM Qualification Kit".



Please note: the O₂ ISM Qualification Kit simulates the behavior of a sensor at several temperatures. All commonly used tables programmed in each transmitter for solubility, salinity correction, etc. apply standardized values, e.g. temperature 25 °C (77 °F), pressure 1.013 bar (14.69 psi) and a relative humidity 100 %. The transmitter calculates back the value that the sensor would deliver under these reference conditions. This compensated value may differ from the direct current delivered by the simulator if for example the calibration pressure (manually tipped or automatically measured by some transmitter) differs from 1.013 bar (14.69 psi) or if the relative humidity typed in is different from 100 %.



Problem solving: If any of the tests described above failed, you should change the connecting cable and repeat the test. If the test still shows the same result, the transmitter or the cable is defective. If you are using a transmitter with current outputs, so ensure the outputs are correctly wired.



You must **never do a calibration** (the simulators are read-only).



You must **never increment autoclave cycles** (always set "NO" to cycle counter), this is only needed if autoclave has been set to a value higher than 0.



Different transmitters may display different values and errors.



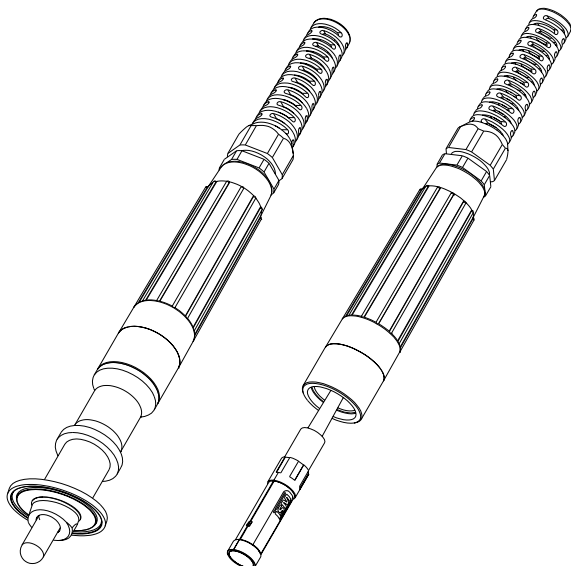
Out of range behavior is also different depending on the transmitter in use thus **different values/readings may occur.**



Set the transmitter input filter to off (only for SIM O₂ TGL, SIM O₂ ppb TGL and SIM O₂ Trace TGL).



Do not use the O₂ ISM plug-in heads after the expiry date shown on the label of each plug-in head. Please send them back to METTLER TOLEDO for recertification.



Measuring point with
METTLER TOLEDO Electrode

Connecting O₂ ISM
Qualifying plug-in head

Environment operating and storing conditions:

Permissible ambient temperature (operation):

- 25 °C to 60 °C (- 13 °F to 140 °F)

Permissible ambient temperature (storage/transport):

- 25 °C to 60 °C (- 13 °F to 140 °F)

5 Product Specification

5.1 Simulator, Pre-registered Values

Order No.	Product Designation	Legend	OXY Value	Temp.
Standard (InPro 6850i) SIM O ₂ Kit			Order No. 52 300 416	
52 300 417	SIM O ₂ ZERO	SIM O ₂ ZERO	0%	25 °C
52 300 418	SIM O ₂ AIR	SIM O ₂ AIR	20.95 Vol% 100% (air) sat	40 °C
52 300 419	SIM O ₂ TGL	Toggle Mode 30 sec	0% & 100%	25 °C & 40 °C
52 300 420	SIM O ₂ ERR1	9999 % ...% sat	9999 % ...% sat	25 °C
52 300 421	SIM O ₂ ERR2	9999 % ...% sat	83 % ...% sat	90 °C
Standard (InPro 6900i) SIM O ₂ ppb Kit			Order No. 52 300 422	
52 300 423	SIM O ₂ ppb ZERO	SIM O ₂ ppb ZERO	0%	5 °C
52 300 424	SIM O ₂ ppb AIR	SIM O ₂ ppb AIR	20.95 Vol% 100% (air) sat	25 °C
52 300 425	SIM O ₂ ppb TGL	Toggle Mode 30 sec	0% & 100%	5 °C & 25 °C
52 300 426	SIM O ₂ ppb ERR1	9999 % ...% sat	9999 % ...% sat	25 °C
52 300 427	SIM O ₂ ppb ERR2	9999 % ...% sat	83 % ...% sat	90 °C
Standard (InPro 6950i) SIM O ₂ Trace Kit			Order No. 52 300 428	
52 300 429	SIM O ₂ Trace ZERO	SIM O ₂ Trace ZERO	0%	5 °C
52 300 430	SIM O ₂ Trace AIR	SIM O ₂ Trace AIR	20.95 Vol% 100% (air) sat	25 °C
52 300 431	SIM O ₂ Trace TGL	Toggle Mode 30 sec	0% & 100%	5 °C & 25 °C
52 300 432	SIM O ₂ Trace ERR1	9999 % ...% sat	9999 % ...% sat	25 °C
52 300 433	SIM O ₂ Trace ERR2	9999 % ...% sat	83 % ...% sat	90 °C

5.2 Sensor Diagnostics Data

All O₂ SIM's except 52 300 421 (SIM O₂ ERR2), 52 300 427 (SIM O₂ PPB ERR2), 52 300 433 (SIM O₂ TRACE ERR2)

Sensor Diagnostics O₂	Transmitters M400 / M420 / M800
Time to maintenance (TTM)	100 d
Life time indicator (DLI)	2400 d
Adaptive Cal Timer (ACT)	50 d
Sensor operating time	300 d
Autoclaving cycles	1
CIP cycles	3
SIP cycles	2
Max temperature	130 / 121 °C dd.mm.yyyy (date of production)

For SIM 52 300 421 (SIM O₂ ERR2), 52 300 427 (SIM O₂ PPB ERR2), 52 300 433 (SIM O₂ TRACE ERR2)

Sensor Diagnostics O₂	Transmitters M400 / M420 / M800
Time to maintenance (TTM)	0 d
Life time indicator (DLI)	2300 d
Adaptive Cal Timer (ACT)	0 d
Sensor operating time	300 d
Autoclaving cycles	1
CIP cycles	3
SIP cycles	2
Max temperature	130 / 121 °C dd.mm.yyyy (date of production)

All O₂ SIM except 52 300 421 (SIM O₂ ERR2), 52 300 427 (SIM O₂ PPB ERR2), 52 300 433 (SIM O₂ TRACE ERR2)

Sensor Wear Monitor O₂	Transmitter M700 % bar
Membrane body wear	~100 %
Inner body wear	~10 %
Operating time	300 d
Network diagram sensor wear	50 %

For SIM 52 300 421 (SIM O₂ ERR2), 52 300 427 (SIM O₂ PPB ERR2), 52 300 433 (SIM O₂ TRACE ERR2)

Sensor Wear Monitor O₂	Transmitter M700 % bar
Membrane body wear	~100 %
Inner body wear	~15 %
Operating time	300 d
Network diagram sensor wear	25 %

5.3 Warnings and Alarms

Warnings and Alarms	Transmitters M300 / M400 / M420
52 300 420 (SIM O ₂ ERR1)	Error O ₂ slope > – 30 nA
52 300 426 (SIM O ₂ ppb ERR1)	Error O ₂ slope > – 220 nA
52 300 432 (SIM O ₂ Trace ERR1)	Error O ₂ slope > – 2000 nA
52 300 421 (SIM O ₂ ERR2)	Calibration required Maintenance required
52 300 427 (SIM O ₂ ppb ERR2)	Calibration required Maintenance required
52 300 433 (SIM O ₂ Trace ERR2)	Calibration required Maintenance required

Warnings and Alarms	Transmitters M700
52 300 420 (SIM O ₂ ERR1)	Fail Measurement Range Warning Slope
52 300 426 (SIM O ₂ ppb ERR1)	Fail Measurement Range Warning Slope
52 300 432 (SIM O ₂ Trace ERR1)	Fail Measurement Range Warning Slope
52 300 421 (SIM O ₂ ERR2)	Fail Measurement Range Warning Sensor wear Warning Adjustment required
52 300 427 (SIM O ₂ ppb ERR2)	Fail Measurement Range Warning Sensor wear Warning Adjustment required
52 300 433 (SIM O ₂ Trace ERR2)	Fail Measurement Range Warning Sensor wear Warning Adjustment required

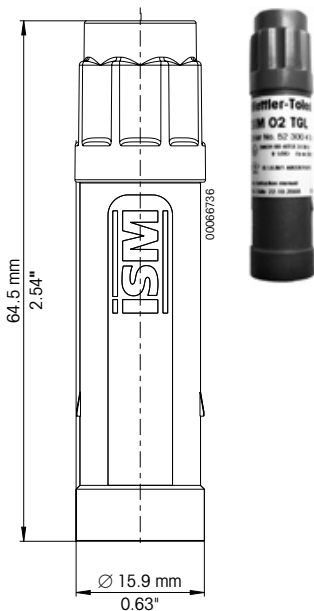
Warnings and Alarms	Transmitters M800
52 300 420 (SIM O ₂ ERR1)	Error O ₂ hi Slope > – 30 nA
52 300 426 (SIM O ₂ ppb ERR1)	Error O ₂ lo Slope > – 220 nA
52 300 432 (SIM O ₂ Trace ERR1)	Error O ₂ Trace Slope > – 2000 nA
52 300 421 (SIM O ₂ ERR2)	Maint Required Cal Required
52 300 427 (SIM O ₂ ppb ERR2)	Maint Required Cal Required
52 300 433 (SIM O ₂ Trace ERR2)	Maint Required Cal Required



Please refer to your transmitter instruction manual for specific instructions.

6 Installation

6.1 Dimensions



Markings

The markings labeled on each pH ISM plugin head state the following information:

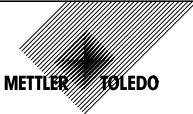
Simulator O2 ZERO		METTLER TOLEDO www.mt.com/gro	
P/N:	52300417		Mettler-Toledo GmbH Im Hackacker 15 CH-8902 Urdorf Switzerland
S/N:	1234567		SEV 14 ATEX 0169X IECEx SEV 14.0026X CML 22 UKEX 2212X See instruction manual!
	HAZ LOC, IS/II/III/1/ ABCDEF/G/T6; Ta<+60°C FM16US0034X FM18CA0021X		
Cal. Date:	02.09.2022		1258 UK CA 2503
Cal. Due:	01.09.2023		
HW: 02.00.00	FW: SIM-05.00.00		

7 Ordering Information

Order No.	Designation	Order No.	Designation
52 300 410	SIM pH Kit	52 300 428	SIM O₂ Trace Kit
52 300 411	SIM pH4	52 300 429	SIM O ₂ Trace ZERO
52 300 412	SIM pH7	52 300 430	SIM O ₂ Trace AIR
52 300 413	SIM pH TGL	52 300 431	SIM O ₂ Trace TGL
52 300 414	SIM pH ERR1	52 300 432	SIM O ₂ Trace ERR1
52 300 415	SIM pH ERR2	52 300 433	SIM O ₂ Trace ERR2
52 300 416	SIM O₂ Kit	52 300 422	SIM O₂ ppb Kit
52 300 417	SIM O ₂ ZERO	52 300 423	SIM O ₂ ppb ZERO
52 300 418	SIM O ₂ AIR	52 300 424	SIM O ₂ ppb AIR
52 300 419	SIM O ₂ TGL	52 300 425	SIM O ₂ ppb TGL
52 300 420	SIM O ₂ ERR1	52 300 426	SIM O ₂ ppb ERR1
52 300 421	SIM O ₂ ERR2	52 300 427	SIM O ₂ ppb ERR2
30 031 035	SIM CO₂ Kit		
30 034 395	SIM CO ₂ 15 mbar		
30 038 175	SIM CO ₂ 950 mbar		
30 038 973	SIM CO ₂ TGL		
30 038 974	SIM CO ₂ ERR1		
30 038 975	SIM CO ₂ ERR2		

The single simulators are not available for sale.

8 Protocol



Protokoll für O₂ ISM Qualifizierkit

Name der Produktionsstätte _____

Gerätehersteller _____

Kaufdatum _____

Transmittermodell _____

Seriennummer des Transmitters _____

Simulator ArtikeInr.	Simulator Serienr.	Bezeichnung	Gültig bis	Parameter (alle überprüfen, die dieses Gerät betreffen)

Datum / Zeit	Akzeptiert? ⇨ Ja	Akzeptiert? ⇨ Nein	Name / Unterschrift

Protokoll für O₂ ISM Qualifizierkit © Mettler-Toledo AG, MarCom, Im Hackacker 15, CH - 8902 Urdorf. 03/2009 1



A copy of this form in A4 format is delivered with the O₂ ISM Qualification Kit.

O₂ ISM Qualifizierkit

Bedienungsanleitung

ISM und InPro sind Markenzeichen der METTLER TOLEDO Gruppe..

Inhaltsverzeichnis

	Seite
1 Sicherheit.....	31
2 Wichtige Hinweise	32
2.1 Hinweise zur Bedienungsanleitung	32
2.2 Bestimmungsgemäße Verwendung.....	32
2.3 Sicherheitshinweise	33
2.4 Umweltschutz	35
2.5 Einsatz in EX-Zonen.....	36
2.6 Ex-Klassifikation ATEX.....	37
2.6.1 Einleitung	37
2.6.2 Nenndaten	37
2.6.3 Besondere Bedingungen	38
2.7 FM-geprüfte Ex-Klassifikation.....	39
2.7.1 Einleitung	39
2.7.2 Nenndaten	40
2.7.3 Besondere Bedingungen	40
2.7.4 Angewandte Normen.....	41
3 Produktbeschreibung.....	42
4 Betrieb	43
4.1 Anschluss des Transmitters an das O ₂ ISM Qualifizierkit	43
5 Produktspezifikationen	46
5.1 Simulator, vorgegebene Werte	46
5.2 Diagnosedaten Sensor	47
5.3 Warnungen und Alarme	49
6 Installation	51
6.1 Abmessungen.....	51
7 Bestellinformationen.....	52
8 Protokoll	53

1 Sicherheit

Diese Bedienungsanleitung beinhaltet alle notwendigen Informationen, um das **O₂ ISM™ Qualifizierkit** von METTLER TOLEDO sicher, sachgerecht und bestimmungsgemäss anzuwenden.

Diese **Bedienungsanleitung** und im speziellen die **Sicherheitshinweise** müssen **von allen Personen**, die mit diesem Qualifizierkit arbeiten, **beachtet und eingehalten** werden.

Bitte bewahren Sie diese Bedienungsanleitung an einem sicheren Ort auf, wo sie für Personen, die mit einem O₂-Sensor und dem O₂ ISM Qualifizierkit arbeiten, jederzeit zugänglich ist.

Warnhinweise und Symbole

In dieser Bedienungsanleitung werden Sicherheitshinweise und Zusatzinformationen durch folgende Piktogramme gekennzeichnet:



Dieses Piktogramm kennzeichnet **Sicherheits- und Gefahrenhinweise**, deren Missachtung zu Personen- und/ oder Sachschäden führen können.



Dieses Piktogramm kennzeichnet **Zusatzinformationen und Anweisungen** deren Missachtung zu Defekten, ineffizientem Betrieb oder zum Ausfall der Produktion führen können.

2 Wichtige Hinweise

2.1 Hinweise zur Bedienungsanleitung

Die vorliegende Bedienungsanleitung enthält alle Informationen zur sicheren, sachgerechten und bestimmungsgemäßen Verwendung des O₂-Qualifizierungskits.

Die Bedienungsanleitung richtet sich an das mit der Bedienung und der Wartung von Sauerstoffsensoren betraute Personal. Es wird vorausgesetzt, dass diese Personen Kenntnisse der Anlage, in der die Sensoren eingebaut sind, besitzen.

Warnhinweise und Symbole

In dieser Bedienungsanleitung werden Sicherheitshinweise und Zusatzinformationen mit folgenden Piktogrammen gekennzeichnet:



Dieses Piktogramm kennzeichnet **Sicherheits- und Gefahrenhinweise**, deren Missachtung zu Personen und/oder Sachschäden führen können.



Dieses Piktogramm kennzeichnet **Zusatzinformationen und Anweisungen**, deren Missachtung zu Defekten, ineffizientem Betrieb oder zum Ausfall der Produktion führen kann.

2.2 Bestimmungsgemäße Verwendung

Das O₂-ISM-Qualifizierungskit von METTLER TOLEDO dient ausschließlich der Qualifizierung von O₂-Messsystemen gemäß den Angaben in dieser Bedienungsanleitung.

Eine andere als in dieser Bedienungsanleitung beschriebene oder darüber hinausgehende Verwendung dieses Kits gilt nicht als bestimmungsgemäß.

Für aus solch fehlerhafter Verwendung resultierende Schäden haftet der Hersteller/Lieferant nicht. Das Risiko trägt allein der Anwender/-Betreiber.

Zur bestimmungsgemäßen Verwendung gehören zudem:

- Die Beachtung der Anweisungen, Hinweise und Vorschriften in der vorliegenden Bedienungsanleitung.
- Die regelmäßige Inspektion, Wartung und Funktionsprüfung der eingesetzten Komponenten liegt in der Verantwortung des Anwenders. Die örtlich geltenden Vorschriften zur Arbeits- und Anlagensicherheit sind dabei einzuhalten.
- Einhaltung aller Hinweise und Warnvermerke in den Publikationen zu den Produkten, die zusammen mit dem Sensor verwendet werden (Gehäuse, Transmitter usw.).
- Einhaltung aller Sicherheitsvorschriften der Anlage, in die der Sensor eingebaut wird.
- Der korrekte Betrieb unter Beachtung der vorgeschriebenen Umwelt- und Betriebsbedingungen sowie der zulässigen Einbaulagen.
- Bei Unklarheiten ist unbedingt Rücksprache mit METTLER TOLEDO Process Analytics zu nehmen.

2.3 Sicherheitshinweise



- Der Anlagenbetreiber muss sich über eventuelle Risiken und Gefahren seines Prozesses bzw. Anlage bewusst sein. Der Anlagenbetreiber ist für die Schulung der Mitarbeiter, für die Kennzeichnung möglicher Gefahren und für die Bereitstellung einer modernen technischen Ausrüstung verantwortlich.
- Mitarbeiter, die an der Inbetriebnahme, Bedienung oder Wartung dieser Simulatoren oder eines ihrer Zubehörteile (Gehäuse, Transmitter usw.) beteiligt sind, müssen zwingend in den Prozess selbst eingeführt sowie in der Nutzung und Handhabung der Zubehörteile unterwiesen werden. Dazu gehört auch das Lesen und Verstehen dieser Bedienungsanleitung.

- Die Sicherheit von Betriebspersonal und Anlagen liegt schlussendlich in der Verantwortung des Anlagenbetreibers. Dies gilt insbesondere für Anlagen in explosionsgefährdeten Bereichen.
- Die Sauerstoffsensorsimulatoren und zugehörigen Komponenten haben keinen Einfluss auf den eigentlichen Prozess und können ihn nicht im Sinne einer Regelung oder Steuerung beeinflussen.
- Werden bestimmte Schutzmaßnahmen wie Schlösser, Beschriftungen oder redundante Messsysteme gefordert, müssen diese vom Anlagenbetreiber vorgesehen werden.
- Ein defekter Simulator darf weder montiert noch in Betrieb genommen werden.
- An den Simulatoren und Zubehörteilen dürfen keine Änderungen vorgenommen werden. Der Hersteller haftet nicht für Schäden, die aufgrund unerlaubter Änderungen entstehen. Das Risiko trägt allein der Anwender.
- Werden für den Simulatoranschluss Kabel verwendet, die nicht vom Hersteller geliefert oder empfohlen werden, sind die folgenden Normen einzuhalten:
 - Die US-Norm National Electrical Code® (ANSI/NFPA 70 [NEC®]), sofern zutreffend.
 - Die kanadische Norm Canadian Electrical (CE) Code® (CEC Teil 1, CAN/CSA-C22.1), sofern zutreffend.
- Für Hinweise zu US-Installationen siehe ANSI/ISA-RP12.06.01, Installation von eigensicheren Systemen für gefährliche (eingestufte) Standorte.
- In den USA dürfen die an die eigensicheren zugehörigen Betriebsmittel angeschlossenen Leitstand-Geräte nicht mehr als die für die zugehörigen Betriebsmittel vorgegebene Um verwenden oder erzeugen.
- Bei der Installation ist jegliche Freisetzung von Zündenergie durch Stöße, Schläge oder Reibung zu vermeiden.
- Unerlaubte Änderungen und die Verwendung von Komponenten anderer Hersteller können den sicheren Einsatz des Systems beeinträchtigen.



- Elektrische Steckbuchsen oder Module dürfen erst dann angeschlossen oder entfernt werden, wenn der Bereich erwiesenermaßen frei von entflammabaren Dämpfen ist.
- **WARNUNG!**
EIGENSICHERE GERÄTE KÖNNEN EINE ZÜNDQUELLE DARSTELLEN, WENN INTERNE ABSTÄNDE ÜBERBRÜCKT ODER ANSCHLÜSSE GEÖFFNET WERDEN.
- **WARNUNG!**
NICHT ÖFFNEN IN EXPLOSIONSFÄHIGER ATMOSPHÄRE.
- **WARNUNG!**
DER AUSTAUSCH VON KOMPONENTEN KANN DIE EIGENSICHERHEIT BEEINTRÄCHTIGEN.
- **WARNUNG!**
DIE VERWENDUNG ANDERER KOMPONENTEN KANN DIE GEBRAUCHSTAUGLICHKEIT DES GERÄTS BEEINTRÄCHTIGEN.
- **WARNUNG!**
NUR ZUM ANSCHLUSS AN NICHT FEUERGEFÄHRLICHE PROZESSE BESTIMMT.
- **WARNUNG!**
UM DEN SCHUTZ DES GEHÄUSES NACH SCHUTZART IP66 ZU GEWÄHRLEISTEN, MUSS DIE STECKBUCHSE VOLLSTÄNDIG EINGERASTET SEIN.

2.4 Umweltschutz

Elektroaltgeräte dürfen nicht zusammen mit dem Hausmüll entsorgt werden. Bitte führen Sie diese möglichst Einrichtungen zur Wiederverwertung zu. Wenden Sie sich an Ihre zuständige Behörde oder Ihren Fachhändler, um Hinweise zur Wiederverwertung zu erhalten.



Typische Anwendungen

Die folgende Aufzählung zeigt einige typische Anwendungsbeispiele für den Einsatz der Sauerstoffsensorsimulatoren. Die Liste erhebt keinen Anspruch auf Vollständigkeit:

- Tool zur Qualifizierung von O₂-Messsystemen
- Servicetool für schnelle Überprüfungen und Fehlerbehebungen in Stromkreisen

2.5 Einsatz in EX-Zonen




Achtung!

Lesen Sie im Hinblick auf die Installation in Ex-Zonen die folgenden Leitlinien:



Ex-Klassifikation ATEX

 II 1/2G Ex ia IIC T6...T3 Ga/Gb

 II 1/2D Ex ia IIIC T26 °C...T161 °C Da/Db

Nummer des Testzertifikats:

SEV 14 ATEX 0169X

IECEX SEV 14.0026X

CML 22 UKEX 2212X

FM-geprüfte Ex-Klassifikation:



IS/I,II,III/1/ABCDEFG/T6 Ta = 60 °C

- 53 800 002; Entity

Project ID: 3021227

FM certificate number: FM16US0034X

FM18CA0021X

2.6 Ex-Klassifikation ATEX

2.6.1 Einleitung

Gemäß Anhang I der Richtlinie 2014/34/EU¹⁾ (ATEX 114) handelt es sich bei den ISM-Sauerstoffsensorsimulatoren um Geräte der Gruppe II, Kategorie 1/2G, welche gemäß Richtlinie Nr. 99/92/EG²⁾ (ATEX 137) in den Zonen 0/1 oder 1/2 bzw. 1 oder 2 sowie in den Gasgruppen IIA, IIB und IIC, die aufgrund brennbarer Stoffe der vorgenannten Temperaturklassen explosionsgefährdet sind, eingesetzt werden dürfen.

Bei der Verwendung/Installation sind die Anforderungen nach EN 60079-14 einzuhalten.

Gemäß Anhang I der Richtlinie 2014/34/EU¹⁾ (1⁾ gehören ISM-Sauerstoffsensorsimulatoren zur Gerätegruppe II, Kategorie 1/2D, und gemäß Richtlinie Nr. 99/92/EG²⁾ (ATEX 137) können sie auch in den Zonen 20/21 bzw. 21 oder 22 eingesetzt werden, die brennbaren Staub enthalten.

Der Stromkreis des digitalen Sensors ist Teil eines gemeinsamen eigensicheren Systems und wird an einen gesondert zertifizierten Transmitter angeschlossen und betrieben.

Der Stromkreis des digitalen Sensors ist als Teil eines eigensicheren Systems von den nicht eigensicheren Stromkreisen bis zu einer maximalen Nennspannung von 375 V und von geerdeten Teilen bis zu einer maximalen Nennspannung von 30 V getrennt.

2.6.2 Nenndaten

Messkreis:

In eigensicherer Zündschutzart Ex ia IIC nur zum Anschluss an einen zertifizierten eigensicherer Stromkreis.

Höchstwerte digitaler O₂-Sauerstoffsensorsimulatoren:

Zweiadrigter Stromkreis: $U_i \leq 16 \text{ V}$ $L_i =$ vernachlässigbar
 $I_i \leq 30 \text{ mA}$ $C_i =$ vernachlässigbar
 $P_i \leq 50 \text{ mW}$

¹⁾ Für britische gesetzliche Anforderungen SI 2016 Nr. 1107

²⁾ Für britische Vorschriften 7 und 11 der Dangerous Substances and Explosive Atmospheres Regulations 2002 (DSEAR).



Hinweis: Die oben genannten Höchstwerte sind jeweils die Summe aller einzelnen Kreise in der entsprechenden eigensicheren Stromversorgung und im Transmitter.

2.6.3 Besondere Bedingungen

- Folgende Tabelle enthält das Verhältnis zwischen der maximal zulässigen Umgebungs- bzw. Mediumstemperatur und der Temperaturklasse für Geräte der Kategorie 1G, Zone 0:

Temperaturklasse	Max. Umgebungs- bzw. Mediumstemperatur
T 6	68 °C
T 5	80 °C
T 4	108 °C
T 3	160 °C

- Folgende Tabelle enthält das Verhältnis zwischen der maximal zulässigen Umgebungs- bzw. Mediumstemperatur und der Temperaturklasse für Geräte der Kategorie 1G, Zone 0:

Temperaturklasse	Max. Umgebungs- bzw. Mediumstemperatur
T69°C	68 °C
T81°C	80 °C
T109°C	108 °C
T161°C	160 °C

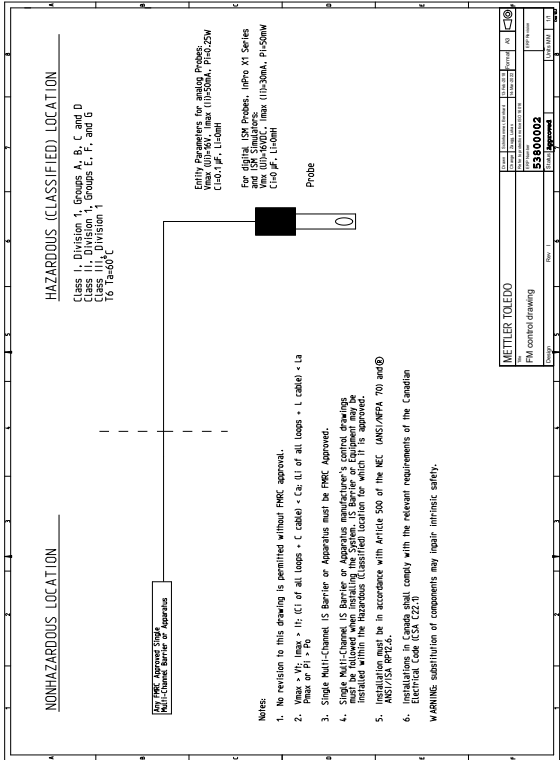
- Die Kapazität und die Induktivität des Verbindungskabels sind zu beachten.

2.7 FM-geprüfte Ex-Klassifikation



2.7.1 Einleitung

Gegebenenfalls sind die folgende FM-Kontrollzeichnung und die in Kapitel 2.7.4 aufgeführten Normen einzuhalten:



2.7.2 Nenndaten

Die Nenndaten entnehmen Sie bitte Kapitel 2.7.2.

2.7.3 Besondere Bedingungen

In der Schutzart der eigensicheren Geräte sind prozessanalytische Sensoren (ISM-Sauerstoffsensorsimulatoren) für die folgenden spezifischen Einsatzbedingungen vorgesehen.

1. Die ISM-Sauerstoffsensorsimulatoren sind in Übereinstimmung mit den Gehäuse-, Montage-, Abstands- und Trennungsanforderungen der jeweiligen Anwendung zu installieren, einschließlich einer abnehmbaren Werkzeugabdeckung.
2. Die Prozesstemperatur darf maximal +130 °C. betragen.
3. Potenzielle Gefahr einer elektrostatischen Aufladung – Um die Gefahr elektrostatischer Entladungen zu vermeiden, darf die nichtmetallische Oberfläche nur mit einem feuchten Tuch gereinigt werden.

2.7.4 Angewandte Normen

US-Normen

Titel	Nummer	Ausgabe Datum
Approval Standard for Electrical Equipment for Use in Hazardous (Classified) Locations – General Requirements.	FM Class 3600	2022
Approval Standard for Intrinsically Safe Apparatus and Associated Apparatus for Use in Class I, II & III, Division 1, Hazardous (Classified) Locations.	FM Class 3610	2021
Approval Standard for Electrical Equipment for Measurement, Control and Laboratory Use.	FM Class 3810	2021
Explosive Atmospheres – Part 0: Equipment – General Requirements.	ANSI/UL 60079-0	2022
Explosive Atmospheres – Part 11: Equipment Protection by Intrinsic Safety “I”.	ANSI/UL 60079-11	2018
Safety Requirements for Electrical Equipment for Measurement, Control, and Laboratory Use – Part 1: General Requirements.	ANSI/UL 61010-1	2018

Kanadische Normen

Titel	Nummer	Ausgabe Datum
Explosive Atmospheres – Part 0: Equipment – General Requirements.	CAN/CSA-C22.2 No. 60079-0	2019
Explosive Atmospheres – Part 11: Equipment Protection by Intrinsic Safety “I”.	CAN/CSA-C22.2 No. 60079-11	R2018
Safety Requirements for Electrical Equipment for Measurement, Control, and Laboratory Use – Part 1: General Requirements.	CAN/CSA-C22.2 No. 61010-1	R2017

3 Produktbeschreibung



Das O₂ ISM Qualifizierkit besteht aus 5 verschiedenen Sensor-Steckköpfen und erlaubt das Simulieren von Lesedaten der nachfolgend aufgeführten ISM-Sauerstoffsensoren. Diese Daten und Fehler sind vordefiniert (vom Kunden nicht veränderbar) und dienen als Werkzeug der Qualifizierung zum sicheren Betrieb:

- InPro™ 6850 i
- InPro 6900 i
- InPro 6950 i

Jeder Sensorkopf entspricht einem der erwähnten METTLER TOLEDO Sensoren und liefert die kompletten Daten eines ISM-Sensors.

Das O₂ ISM Qualifizierkit bietet zwei Hauptfunktionen:

- es dient als Werkzeug zur Qualifizierung eines Messsystems
- es dient als Servicegerät für die rasche Überprüfung und Fehlersuche innerhalb eines gesamten Messloops.

Folgende Daten (primäre/sekundäre) werden angezeigt und übertragen:

- Hauptmesswert
- Temperatur
- Fehlermeldung entsprechend der Indikation

Alle ISM-Standard Prozess- und Verschleissdaten des Sensors sind in jedem Sensorkopf gespeichert und werden sowohl an Transmitter, Prozessleitsysteme und die iSense Software übertragen.

4 Betrieb

4.1 Anschluss des Transmitters an das O₂ ISM Qualifizierkit

Um Ihr ISM-Messsystem zu überprüfen gehen Sie wie folgt vor:

Für die genaue Beschreibung des Transmitterbetriebes verweisen wir Sie auf die Betriebsanleitung des jeweiligen Transmitters.

Schritt 1: ISM-Sensor von der Messstelle trennen.

Schritt 2: Einen der Sensorköpfe des O₂ ISM Qualifizierkits mittels vorhandenem Verbindungskabel an den Transmitter anschliessen.

Schritt 3: Die vordefinierten Werte werden am Transmitter angezeigt.

Schritt 4: Überprüfen, ob die angezeigten Werte am Transmitter oder dem Prozessleitsystem mit den vordefinierten Werten des Sensorkopfs aus dem O₂ ISM Qualifizierkit übereinstimmen.

 Beachten Sie das Zertifikat für die exakten Werte.

Schritt 5: Bei der Verwendung der Fehlersimulatoren ist darauf zu achten, dass am Transmitter bzw. dem Prozessleitsystem die entsprechenden Fehler korrekt angezeigt werden.

Schritt 6: Eintragen der Resultate in das mitgelieferte Qualifizierungs-Formular «Protokoll O₂ ISM Qualifizierkit».



Hinweis: Das O₂ ISM Qualifizierkit simuliert das Verhalten eines Sensors bei verschiedenen Temperaturen. Alle gängigen Tabellen zur Löslichkeit, Salinitätskorrektur usw., die in den Transmittern gespeichert sind, beziehen sich auf Standardbedingungen. Typische Werte sind Temperatur 25 °C, Druck 1,013 bar und relative Luftfeuchtigkeit 100 %. Der Transmitter berechnet die Werte, die ein Sensor unter diesen Bedingungen liefern würde. Diese kompensierten Werte können von den tatsächlichen Stromwerten abweichen, die der Simulator liefert. Zum Beispiel wenn eine Kalibration bei einem manuell

einggegebenen Druck (oder einem automatisch bestimmten, modellabhängig) durchgeführt wurde, welcher vom Standardwert 1,013 bar oder der relativen Luftfeuchtigkeit 100 % abweicht.



Problemlösung: Wenn einer der beschriebenen Tests nicht erfolgreich bestanden wurde, prüfen Sie das Verbindungskabel zwischen Simulator und Transmitter und tauschen es allenfalls aus. Sollte der Test danach erneut negativ ausfallen, ist der Transmitter defekt. Bei Verwendung eines Transmitters mit Stromausgang überprüfen Sie, ob die Anschlüsse richtig belegt wurden.



Führen Sie mit den Simulatoren niemals eine Kalibrierung durch. (Die Simulatoren sind nur Leseinheiten).



Erhöhen Sie niemals manuell den Autoklavier-Zähler. (Setzen Sie den Zähler immer auf «Nein». Dies ist nur nötig, wenn der Autoklavier-Wert grösser als 0 ist.



Verschiedene Transmitter können unterschiedliche Werte und Fehlermeldungen anzeigen.



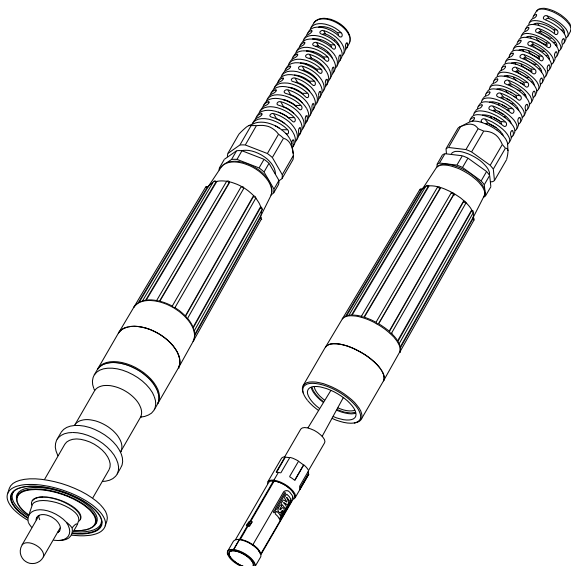
Messwertüberschreitungen werden von verschiedenen Transmittern unterschiedlich behandelt und können entsprechend **andere Werte und Anzeigen zur Folge haben.**



Schalten Sie den Transmitter Eingangsfiler aus (nur für SIM O₂ TGL, SIM O₂ ppb TGL und SIM O₂ Trace TGL).



Verwenden Sie die O₂ ISM Sensorköpfe nicht über das aufgedruckte Verfallsdatum hinaus. Zur Rekalibrierung senden Sie bitte das komplette Kit an METTLER TOLEDO zurück.



Messpunkt mit
METTLER TOLEDO Elektrode

Zur Qualifizierung ange-
schlossener ISM-Sensorkopf

Betriebs- und Lagerbedingungen:

Zulässige Umgebungstemperatur (Betrieb):

- 25 °C bis 60 °C

Zulässige Umgebungstemperatur (Lagerung/Transport):

- 25 °C bis 60 °C

5 Produktspezifikationen

5.1 Simulator, vorgegebene Werte

Bestell-Nr.	Produkt-Beschreibung	Legende	Sauerstoff-Wert	Temp.
Standard (InPro 6850i) SIM O ₂ Kit			Bestell-Nr. 52 300 416	
52 300 417	SIM O ₂ ZERO	SIM O ₂ ZERO	0%	25 °C
52 300 418	SIM O ₂ AIR	SIM O ₂ AIR	20.95 Vol% 100% (air) sat	40 °C
52 300 419	SIM O ₂ TGL	Umschaltmodus 30 sec	0% & 100%	25 °C & 40 °C
52 300 420	SIM O ₂ ERR1	9999 % ...% sat	9999 % ...% sat	25 °C
52 300 421	SIM O ₂ ERR2	9999 % ...% sat	83 % ...% sat	90 °C
Standard (InPro 6900i) SIM O ₂ ppb Kit			Bestell-Nr. 52 300 422	
52 300 423	SIM O ₂ ppb ZERO	SIM O ₂ ppb ZERO	0%	5 °C
52 300 424	SIM O ₂ ppb AIR	SIM O ₂ ppb AIR	20.95 Vol% 100% (air) sat	25 °C
52 300 425	SIM O ₂ ppb TGL	Umschaltmodus 30 sec	0% & 100%	5 °C & 25 °C
52 300 426	SIM O ₂ ppb ERR1	9999 % ...% sat	9999 % ...% sat	25 °C
52 300 427	SIM O ₂ ppb ERR2	9999 % ...% sat	83 % ...% sat	90 °C
Standard (InPro 6950i) SIM O ₂ Trace Kit			Bestell-Nr. 52 300 428	
52 300 429	SIM O ₂ Trace ZERO	SIM O ₂ Trace ZERO	0%	5 °C
52 300 430	SIM O ₂ Trace AIR	SIM O ₂ Trace AIR	20.95 Vol% 100% (air) sat	25 °C
52 300 431	SIM O ₂ Trace TGL	Umschaltmodus 30 sec	0% & 100%	5 °C & 25 °C
52 300 432	SIM O ₂ Trace ERR1	9999 % ...% sat	9999 % ...% sat	25 °C
52 300 433	SIM O ₂ Trace ERR2	9999 % ...% sat	83 % ...% sat	90 °C

5.2 Diagnosedaten Sensor

Alle O₂ SIM ausser 52 300 421 (SIM O₂ ERR2), 52 300 427 (SIM O₂ PPB ERR2), 52 300 433 (SIM O₂ TRACE ERR2)

Sensordiagnostik O₂	Transmitter M400 / M420 / M800
Zeit bis Wartungsintervall (TTM)	100 d
Lebenszeit Indikator (DLI)	2400 d
Adaptiver Kalibriertimer (ACT)	50 d
Sensor Betriebszeit	300 d
Autoklavier-Zyklen	1
CIP-Zyklen	3
SIP-Zyklen	2
Max. Temperatur	130 / 121 °C ff.mm.jjjj (Produktionsdatum)

Für SIM 52 300 421 (SIM O₂ ERR2), 52 300 427 (SIM O₂ PPB ERR2), 52 300 433 (SIM O₂ TRACE ERR2)

Sensordiagnostik O₂	Transmitter M400 / M420 / M800
Zeit bis Wartungsintervall (TTM)	0 d
Lebenszeit Indikator (DLI)	2300 d
Adaptiver Kalibriertimer (ACT)	0 d
Sensor Betriebszeit	300 d
Autoklavier-Zyklen	1
CIP-Zyklen	3
SIP-Zyklen	2
Max. Temperatur	130 / 121 °C ff.mm.jjjj (Produktionsdatum)

Alle O₂ SIM ausser 52 300 421 (SIM O₂ ERR2), 52 300 427 (SIM O₂ PPB ERR2), 52 300 433 (SIM O₂ TRACE ERR2)

Überwachung O₂-Sensorverschleiss Transmitter M700 % bar

Membrankörper-Verschleiss	~100 %
---------------------------	--------

Innenkörper-Verschleiss	~10 %
-------------------------	-------

Betriebszeit	300 d
--------------	-------

Netzwerk-Diagramm Sensorverschleiss	50 %
-------------------------------------	------

Für SIM 52 300 421 (SIM O₂ ERR2), 52 300 427 (SIM O₂ PPB ERR2), 52 300 433 (SIM O₂ TRACE ERR2)

Überwachung O₂-Sensorverschleiss Transmitter M700 % bar

Membrankörper-Verschleiss	~100 %
---------------------------	--------

Innenkörper-Verschleiss	~15 %
-------------------------	-------

Betriebszeit	300 d
--------------	-------

Netzwerk-Diagramm Sensorverschleiss	25 %
-------------------------------------	------

5.3 Warnungen und Alarme

Warnungen und Alarme	Transmitter M300 / M400 / M420
52 300 420 (SIM O ₂ ERR1)	Fehler O ₂ Steilheit > – 30 nA
52 300 426 (SIM O ₂ ppb ERR1)	Fehler O ₂ Steilheit > – 220 nA
52 300 432 (SIM O ₂ Trace ERR1)	Fehler O ₂ Steilheit > – 2000 nA
52 300 421 (SIM O ₂ ERR2)	Kalibrierung nötig Unterhalt nötig
52 300 427 (SIM O ₂ ppb ERR2)	Kalibrierung nötig Unterhalt nötig
52 300 433 (SIM O ₂ Trace ERR2)	Kalibrierung nötig Unterhalt nötig

Warnungen und Alarme	Transmitter M700
52 300 420 (SIM O ₂ ERR1)	Fehler Messbereich Warnung Steilheit
52 300 426 (SIM O ₂ ppb ERR1)	Fehler Messbereich Warnung Steilheit
52 300 432 (SIM O ₂ Trace ERR1)	Fehler Messbereich Warnung Steilheit
52 300 421 (SIM O ₂ ERR2)	Fehler Messbereich Warnung Sensorverschleiss Warnung Justierung nötig
52 300 427 (SIM O ₂ ppb ERR2)	Fehler Messbereich Warnung Sensorverschleiss Warnung Justierung nötig
52 300 433 (SIM O ₂ Trace ERR2)	Fehler Messbereich Warnung Sensorverschleiss Warnung Justierung nötig

Warnungen und Alarme**Transmitter M800**

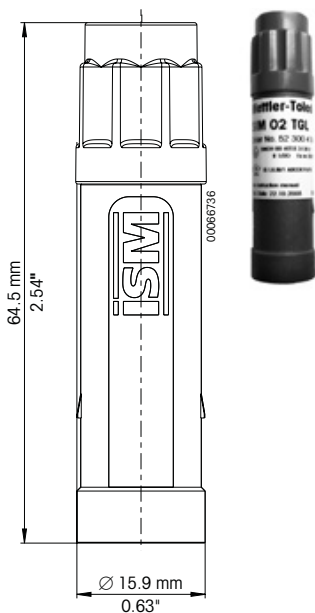
52 300 420 (SIM O ₂ ERR1)	Fehler O ₂ Hi Steilh. > – 30 nA
52 300 426 (SIM O ₂ ppb ERR1)	Fehler O ₂ Lo Steilheit > – 220 nA
52 300 432 (SIM O ₂ Trace ERR1)	Fehler O ₂ Trace Steilh. > – 2000 nA
52 300 421 (SIM O ₂ ERR2)	Wartung erforderlich Justierung erforderlich
52 300 427 (SIM O ₂ ppb ERR2)	Wartung erforderlich Justierung erforderlich
52 300 433 (SIM O ₂ Trace ERR2)	Wartung erforderlich Justierung erforderlich



Für spezifische Anweisungen verweisen wir Sie auf die Betriebsanleitung Ihres Transmitters.

6 Installation

6.1 Abmessungen



Beschriftung

Die Etikette, die sich auf jedem ISM O₂-Sensorkopf befindet, enthält folgende Informationen:


Simulator O2 ZERO		METTLER TOLEDO www.mt.com/gro	
P/N:	52300417		Mettler-Toledo GmbH Im Hackacker 15 CH-8902 Urdorf Switzerland
S/N:	1234567		SEV 14 ATEX 0169X IECEx SEV 14.0926X CML 22 UKEX 2212X See instruction manual!
	HAZ LOC, IS/II, III/1/ ABCDEFGHI/T6; Ta<+60°C		
	FM16US0034X FM18CA0021X		
Cal. Date:	02.09.2022		
Cal. Due:	01.09.2023		
HW: 02.00.00	FW: SIM-05.00.00		

7 Bestellinformationen

Bestell-Nr.	Bezeichnung	Bestell-Nr.	Bezeichnung
52 300 410	SIM pH Kit	52 300 428	SIM O₂ Trace Kit
52 300 411	SIM pH4	52 300 429	SIM O ₂ Trace ZERO
52 300 412	SIM pH7	52 300 430	SIM O ₂ Trace AIR
52 300 413	SIM pH TGL	52 300 431	SIM O ₂ Trace TGL
52 300 414	SIM pH ERR1	52 300 432	SIM O ₂ Trace ERR1
52 300 415	SIM pH ERR2	52 300 433	SIM O ₂ Trace ERR2
52 300 416	SIM O₂ Kit	52 300 422	SIM O₂ ppb Kit
52 300 417	SIM O ₂ ZERO	52 300 423	SIM O ₂ ppb ZERO
52 300 418	SIM O ₂ AIR	52 300 424	SIM O ₂ ppb AIR
52 300 419	SIM O ₂ TGL	52 300 425	SIM O ₂ ppb TGL
52 300 420	SIM O ₂ ERR1	52 300 426	SIM O ₂ ppb ERR1
52 300 421	SIM O ₂ ERR2	52 300 427	SIM O ₂ ppb ERR2
30 031 035	SIM CO₂ Kit		
30 034 395	SIM CO ₂ 15 mbar		
30 038 175	SIM CO ₂ 950 mbar		
30 038 973	SIM CO ₂ TGL		
30 038 974	SIM CO ₂ ERR1		
30 038 975	SIM CO ₂ ERR2		

Simulatoren können nicht einzeln gekauft werden.

8 Protokoll



Protokoll für O₂ ISM Qualifizierkit

Name der Produktionsstätte _____

Gerätehersteller _____

Kaufdatum _____

Transmittermodell _____

Seriennummer des Transmitters _____

Simulator Artikelnr.	Simulator Serienr.	Bezeichnung	Gültig bis	Parameter (alle überprüfen, die dieses Gerät betreffen)

Datum / Zeit	Akzeptiert? ⇒ Ja	Akzeptiert? ⇒ Nein	Name / Unterschrift

Protokoll für O₂ ISM Qualifizierkit © Mettler-Toledo AG, MarCorr, Im Hackacker 15, CH-8902 Urdorf, 03/2009 1



Eine Kopie dieses Formulars im A4-Format wird mit dem O₂ ISM Qualifizierkit mitgeliefert.

Set de qualification ISM O₂

Instructions d'utilisation

ISM et InPro sont des déposées du groupe METTLER TOLEDO.

Table des matières

	Page
1	Sécurité57
2	Remarques importantes.....58
2.1	Remarques concernant le mode d'emploi..... 58
2.2	Utilisation prévue..... 58
2.3	Consignes de sécurité..... 59
2.4	Protection de l'environnement 61
2.5	Exemples d'applications courantes..... 62
2.6	Utilisation dans les zones classées Ex 62
2.7	Classification Ex ATEX..... 63
2.7.1	Introduction..... 63
2.7.2	Données nominales 63
2.7.3	Conditions spéciales 64
2.8	Classification Ex certifiée FM..... 65
2.9	Introduction 65
2.9.1	Données nominales 66
2.9.2	Conditions spéciales 66
2.9.3	Normes appliquées..... 67
3	Description du produit68
4	Exploitation69
4.1	Connecter le transmetteur au simulateur de qualification ISM O ₂ 69
5	Caractéristique du produit72
5.1	Simulateur, valeurs pré-enregistrées..... 72
5.2	Diagnostics de sonde 73
5.3	Mises en garde et alarmes..... 75
6	Installation77
6.1	Dimensions..... 77
7	Informations pour la commande.....78
8	Protocole.....79

1 Sécurité

Ce manuel d'instructions décrit les points principaux de l'utilisation du **Kit de qualification ISM™ O₂** de METTLER TOLEDO pour usage optimal et selon l'emploi prévu.

Les **instructions de ce manuel**, et particulièrement les **consignes de sécurité, doivent être respectées** par **l'opérateur et toute autre personne** travaillant avec ce matériel.

Ce manuel d'instructions doit toujours être conservé à portée de main dans un endroit accessible aux personnes travaillant avec une sonde O₂ et avec le kit de qualification ISM O₂.

Mise en garde et symboles

Les présentes instructions d'utilisation utilise les symboles suivants pour désigner les consignes de sécurité:



Ce symbole a pour but d'attirer l'attention sur les **consignes de sécurité et avertissement relatifs à des dangers potentiels** qui, s'ils ne sont pas pris en considération, pourraient être à l'origine de blessures et/ou de dommages.



Ce symbole signale des **informations ou instructions complémentaires** qui, si elles ne sont pas prises en compte, pourraient occasionner des défauts, un fonctionnement inefficace ou une éventuelle diminution de la production.

2 Remarques importantes

2.1 Remarques concernant le mode d'emploi

Ce mode d'emploi précise comment utiliser le kit de qualification de l'oxygène en toute sécurité, conformément à l'usage indiqué.

Le mode d'emploi est destiné au personnel chargé du fonctionnement et de la maintenance des sondes à oxygène. Ces personnes sont censées bien connaître le fonctionnement des sondes et de l'équipement sur lequel elles sont installées.

Symboles et notices d'avertissement

Ce manuel d'instruction identifie les consignes de sécurité et les informations supplémentaires avec les symboles suivants :



Ce symbole attire l'attention sur les instructions de sécurité et les avertissements de danger potentiel qui, s'ils ne sont pas pris en compte, sont susceptibles de provoquer des lésions corporelles et/ou des dommages matériels.



Ce symbole identifie les instructions et **les informations supplémentaires** qui, en cas de négligence, pourraient entraîner des défauts, un mauvais fonctionnement et éventuellement une perte de production.

2.2 Utilisation prévue

Le kit de qualification ISM de l'oxygène de METTLER TOLEDO est prévu exclusivement pour qualifier les systèmes de mesure de l'oxygène, conformément à la description de ce manuel d'instruction.

Tout autre usage de ce kit, différent du champ d'application décrit dans ce manuel d'instruction ou dépassant celui-ci, sera considéré comme inapproprié et incompatible avec l'objectif visé.

Le fabricant/fournisseur décline toute responsabilité en cas de dommage résultant d'un usage inapproprié. Le risque incombe entièrement à l'utilisateur/opérateur.

Autres conditions préalables à une utilisation appropriée :

- Les instructions, consignes et exigences énoncées dans ce manuel d'instructions doivent être respectées.
- Des inspections, des opérations de maintenance et des tests fonctionnels doivent être réalisés régulièrement sur tous les composants associés, conformément aux réglementations locales relatives à la sécurité du site et à l'exploitation.
- Respecter toutes les informations et tous les avertissements fournis dans la documentation, en ce qui concerne les produits utilisés conjointement à la sonde (boîtiers, transmetteurs, etc.).
- Observer toutes les réglementations de sécurité régissant l'équipement dans lequel la sonde est installée.
- L'équipement doit être utilisé correctement, conformément aux conditions environnementales et opérationnelles prévues, et aux positions d'installation autorisées.
- Le département Process Analytics de METTLER TOLEDO doit être consulté en cas de doute.

2.3 Consignes de sécurité



- L'opérateur du site doit avoir pleinement conscience des risques et dangers potentiels liés au fonctionnement du procédé ou du site en particulier. Il est chargé d'assurer la formation correcte de la main-d'œuvre, de prévoir les panneaux et marquages indiquant des sources de danger possibles et de choisir l'instrumentation de pointe qui convient.
- Il est essentiel que le personnel impliqué dans la mise en service, le fonctionnement ou la maintenance de ces simulateurs ou de l'un des équipements associés (à savoir boîtiers, transmetteurs, etc.) ait reçu une formation adéquate sur le procédé en soi, ainsi que sur l'usage et la manipulation de l'équipement associé. Pour cela, ces personnes doivent notamment avoir lu et compris ce manuel d'instructions.

- L'opérateur du site est responsable en dernier ressort de la sécurité du personnel et du site. Ceci est valable en particulier dans le cas de sites exploités sur des zones dangereuses.
- Les simulateurs de sonde à oxygène et les composants associés n'ont aucun effet sur le procédé en soi et ne peuvent pas influencer celui-ci comme s'il s'agissait d'une forme de système de contrôle.
- Lorsque des protections spécifiques sont nécessaires (notamment verrous, étiquettes ou systèmes de mesure redondants), elles doivent être fournies par l'opérateur du site.
- Si un simulateur est défectueux, il ne faut pas l'installer ni le mettre en service.
- Il est interdit de modifier les simulateurs et les accessoires. Le fabricant décline toute responsabilité en cas de dommages causés par des modifications non autorisées. Le risque incombe exclusivement à l'utilisateur.
- Lors de l'utilisation de câbles pour le raccordement du simulateur qui ne sont pas fournis ni recommandés par le fabricant, il faut prendre en compte les normes suivantes :
 - US National Electrical Code® (ANSI/NFPA 70 [NEC®]), le cas échéant.
 - Canadian Electrical (CE) Code® (CEC Partie 1, CAN/CSA-C22.1), le cas échéant.
- Pour obtenir des conseils sur les installations aux États-Unis, voir ANSI/ISA-RP12.06.01, Installation de systèmes à sécurité intrinsèque pour zones (classées) dangereuses.
- L'équipement de la salle de contrôle connecté à l'appareil associé à sécurité intrinsèque aux États-Unis ne doit pas utiliser ou générer plus que l'Um spécifié de l'appareil associé.
- Il convient de prendre des précautions pendant l'installation pour éviter les impacts ou frictions qui pourraient créer une source d'inflammation.



- L'altération et le remplacement des pièces par des composants non autorisés peuvent compromettre l'utilisation sûre du système.
- L'insertion ou le retrait de modules ou connecteurs électriques amovibles doit uniquement être effectué lorsqu'il est confirmé que la zone ne contient plus aucune vapeur inflammable.
- **AVERTISSEMENT!**
UN APPAREIL À SÉCURITÉ INTRINSÈQUE PEUT ÊTRE UNE SOURCE D'INFLAMMATION SI LES ESPACEMENTS INTERNES SONT RÉDUITS OU SI LES CONNEXIONS SONT OUVERTES.
- **AVERTISSEMENT!**
NE PAS OUVRIR EN PRÉSENCE D'UNE ATMOSPHÈRE EXPLOSIBLE.
- **AVERTISSEMENT!**
LE REMPLACEMENT DE COMPOSANTS PEUT NUIRE À LA SÉCURITÉ INTRINSÈQUE.
- **AVERTISSEMENT!**
LE REMPLACEMENT DE COMPOSANTS PEUT NUIRE À L'ADÉQUATION DE L'ÉQUIPEMENT.
- **AVERTISSEMENT!**
RACCORDEMENT À DES PROCÉDÉS ININ FLAMMABLES UNIQUEMENT.
- **AVERTISSEMENT!**
POUR MAINTENIR LA CLASSIFICATION IP66 DU BOÎTIER, LE CONNECTEUR DOIT ÊTRE ENTIÈREMENT ENGAGÉ.

2.4 Protection de l'environnement

Les produits électriques usagés ne devraient pas être jetés avec les déchets ménagers. Merci de les déposer dans les points de collecte afin qu'ils soient recyclés. Contactez vos autorités locales ou votre vendeur pour obtenir des conseils en matière de recyclage.



2.5 Exemples d'applications courantes

Vous trouverez ci-après une liste d'exemples de domaines d'application courants pour les simulateurs de sonde à oxygène. Cette liste n'est pas exhaustive:

- Outil pour la qualification des systèmes de mesure de l'oxygène.
- Outils d'entretien pour des vérifications rapides et le dépannage de la chaîne (de mesure).

2.6 Utilisation dans les zones classées Ex



Attention!

Pour toute installation dans les zones classées Ex, veuillez lire les consignes suivantes:



Classification Ex ATEX

II 1/2G Ex ia IIC T6...T3 Ga/Gb

II 1/2D Ex ia IIIC T26 °C...T161 °C Da/Db

Numéro du certificat de vérification :

SEV 14 ATEX 0169X

IECEX SEV 14.0026X

CML 22 UKEX 2212X

Classification Ex homologuée FM :

IS/I,II,III/1/ABCDEFGH/T6 Ta = 60 °C
- 53 800 002; Entité

ID du projet : 3021227

Numéro du certificat FM : FM16US0034X

FM18CA0021X

2.7 Classification Ex ATEX

2.7.1 Introduction

Conformément à la directive 2014/34/UE¹⁾ (ATEX 114), Annexe I, les simulateurs de sonde ISM à oxygène sont des dispositifs de groupe II, catégorie 1/2G. Conformément à la directive 99/92/CE²⁾ (ATEX 137), elles peuvent également être utilisées dans les zones 0/1 ou 1/2 ou 1 ou 2, ainsi que dans les groupes de gaz IIA, IIB et IIC, qui sont potentiellement explosifs en présence de matériaux combustibles dans les classes de températures indiquées ci-dessus.

Lors de l'utilisation/installation, les exigences de la norme européenne EN 60079-14 doivent être respectées.

Conformément à la directive 2014/34/UE¹⁾ (ATEX 114), Annexe I, les simulateurs de sonde ISM à oxygène sont des dispositifs de groupe II, catégorie 1/2D et conformément à la directive 99/92/CE²⁾ (ATEX 137), elles peuvent également être utilisées dans des zones 20/21 ou 21 ou 22 contenant des poussières combustibles.

Le circuit de la sonde numérique fait partie d'un système de sécurité intrinsèque commun et, pour le fonctionnement, est raccordé à un transmetteur homologué séparément.

Le circuit de la sonde numérique, en tant que composant d'un système de sécurité intrinsèque, est isolé des circuits électriques dépourvus de sécurité intrinsèque jusqu'à une tension nominale de 375 V et des parties mises à la terre jusqu'à une tension nominale maximale de 30 V.

2.7.2 Données nominales

Circuit de mesure

Protection contre l'inflammation à sécurité intrinsèque de classification Ex ia IIC uniquement pour le raccordement à un circuit à sécurité intrinsèque certifié.

Valeurs maximales du simulateur numérique de sonde à oxygène:

Circuit de courant à deux fils : $U_i \leq 16 \text{ V}$ $L_i = \text{négligeable}$
 $I_i \leq 30 \text{ mA}$ $C_i = \text{négligeable}$
 $P_i \leq 50 \text{ mW}$

¹⁾ Pour les exigences légales britanniques SI 2016 n° 1107

²⁾ Pour les réglementations britanniques 7 et 11 des réglementations sur les substances dangereuses et les atmosphères explosives 2002 (DSEAR).



Remarque: Les valeurs maximales ci-dessus représentent chacune le total de tous les circuits individuels de l'alimentation à sécurité intrinsèque associée et du transmetteur.

2.7.3 Conditions spéciales

- Le lien entre la température du milieu/ambiante maximale autorisée et la classe de températures, pour les applications de la catégorie 1G, zone 0, est indiqué dans le tableau suivant:

Classe de température	Température ambiante ou du milieu max.
T 6	68 °C
T 5	80 °C
T 4	108 °C
T 3	160 °C

- Le lien entre la température du milieu/ambiante maximale autorisée et la classe de températures, pour les applications de la catégorie 1G, zone 0, est indiqué dans le tableau suivant:

Classe de température	Max. environment resp. media temperature
T69°C	68 °C
T81°C	80 °C
T109°C	108 °C
T161°C	160 °C

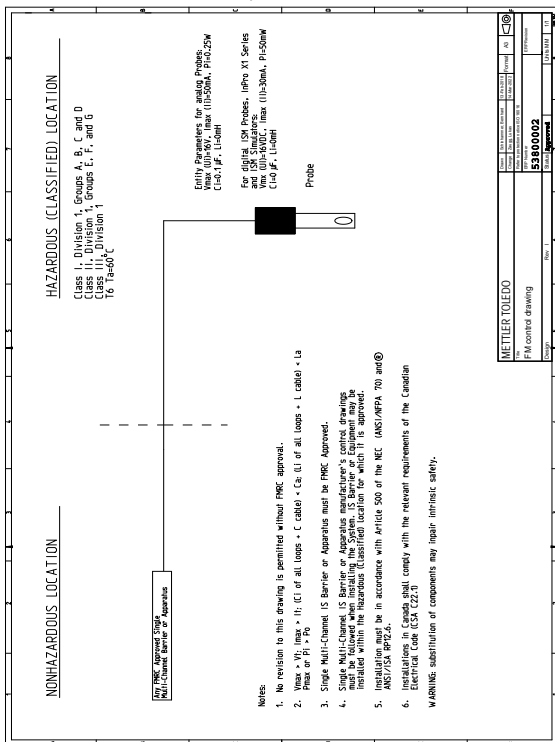
- La capacitance et l'inductance du câble raccordé doivent être prises en compte.

2.8 Classification Ex certifiée FM



2.9 Introduction

Le schéma de contrôle FM suivant et les normes énumérées dans la section 2.7.4 doivent être respectés, le cas échéant:



2.9.1 Données nominales

Pour les données nominales, veuillez vous référer à la section 2.7.2.

2.9.2 Conditions spéciales

Pour le type de protection d'appareil à sécurité intrinsèque, l'équipement de sondes analytiques (simulateurs de sonde ISM à oxygène) est conçu avec les conditions d'utilisation spécifiques suivantes.

1. Les simulateurs de sonde ISM à oxygène doivent être installés conformément aux exigences en matière de boîtier, de montage, d'espacement et d'isolement de l'application finale. Cela signifie notamment que l'outil doit être muni d'un couvercle amovible.
2. La température de procédé ne doit pas dépasser +130 °C.
3. Danger potentiel de charge électrostatique – Pour éviter tout risque de formation d'étincelles électrostatiques, la surface non métallique doit être nettoyée uniquement à l'aide d'un chiffon humide.

2.9.3 Normes appliquées

Normes américaines

Titre	Numéro	Date de publication
Approval Standard for Electrical Equipment for Use in Hazardous (Classified) Locations – General Requirements.	FM Class 3600	2022
Approval Standard for Intrinsically Safe Apparatus and Associated Apparatus for Use in Class I, II & III, Division 1, Hazardous (Classified) Locations.	FM Class 3610	2021
Approval Standard for Electrical Equipment for Measurement, Control and Laboratory Use.	FM Class 3810	2021
Explosive Atmospheres – Part 0: Equipment – General Requirements.	ANSI/UL 60079-0	2022
Explosive Atmospheres – Part 11: Equipment Protection by Intrinsic Safety "i".	ANSI/UL 60079-11	2018
Safety Requirements for Electrical Equipment for Measurement, Control, and Laboratory Use – Part 1: General Requirements.	ANSI/UL 61010-1	2018

Normes canadiennes

Titre	Numéro	Date de publication
Explosive Atmospheres – Part 0: Equipment – General Requirements.	CAN/CSA-C22.2 No. 60079-0	2019
Explosive Atmospheres – Part 11: Equipment Protection by Intrinsic Safety "i".	CAN/CSA-C22.2 No. 60079-11	R2018
Safety Requirements for Electrical Equipment for Measurement, Control, and Laboratory Use – Part 1: General Requirements.	CAN/CSA-C22.2 No. 61010-1	R2017

3 Description du produit



Le kit de qualification ISM O₂ est un set de 5 connecteurs différents qui permettent de simuler pour les électrodes de mesure suivantes des valeurs prédéterminées et des conditions d'erreur (non modifiables par l'utilisateur) afin d'assurer une utilisation sûre de cet kit de qualification:

- InPro™ 6850 i
- InPro 6900 i
- InPro 6950 i

Chaque connecteur du kit correspond à l'une des électrodes de mesure mentionnées de METTLER TOLEDO et délivre toutes les données ISM normalement générées par une électrode ISM.

Le kit de qualification ISM O₂ a essentiellement 2 fonctions:

- Outil de qualification des chaînes de mesure ISM
- Outil de service pour contrôles rapides et détection d'erreurs

Les données incluses (primaires et secondaires) et transmises sont les suivantes:

- Valeur de mesure principale
- Température
- Message d'erreur d'après liste

Toutes les données ISM standard comme l'usure sont disponibles dans chaque simulateur et sont également transmises au poste de mesure ainsi qu'à l'outil de maintenance iSense.

4 Exploitation

4.1 Connecter le transmetteur au simulateur de qualification ISM O₂

Pour qualifier votre système de mesure ISM veuillez procéder comme suit:

Veuillez vous référer au manuel d'instructions du transmetteur pour une description exacte de l'utilisation du transmetteur.

Etape 1: Déconnecter l'électrode ISM du point de mesure

Etape 2: Connecter l'un de simulateurs ISM au transmetteur en utilisant le câble de connexion déjà installé

Etape 3: Les valeurs prédéfinies sont affichées sur le transmetteur

Etape 4: Vérifier que les valeurs présentes sur l'affichage du transmetteur ou du système de contrôle correspondent aux valeurs prédéfinies comme stipulé sur le certificat pour chaque simulateur.



Considérez le certificat pour les valeurs exactes et les tolérances.

Etape 5: Pour le cas où vous utilisez les simulateurs de condition d'erreur, vérifier que les erreurs simulées soient également affichées sur le transmetteur ou dans le système de contrôle.

Etape 6: Entrer les valeurs dans le formulaire également fourni «Protocole pour set de qualification ISM O₂».



Remarque: Le kit de qualification ISM O₂ simule le comportement d'une électrode de mesure à plusieurs températures. Toutes les tables de corrélation couramment utilisées dans la programmation des transmetteurs pour la solubilité, la correction de salinité, etc. appliquent des valeurs normalisées, c'est-à-dire une température de 25 °C, une pression de 1013 mbar une humidité relative de 100 %. Le transmetteur recalcule la valeur de mesure que l'électrode de mesure générerait sous ces conditions standard. Ces valeurs

compensées peuvent différer du courant direct produit par le simulateur si par exemple la pression de calibration (introduite manuellement ou automatiquement) diffère des 1013 mbar ou si l'humidité relative introduite manuellement diffère de 100 %.



Dépannage: Si l'un des tests susmentionnés n'est pas passé avec succès, contrôlez ou échangez le câble de connexion entre le simulateur et le transmetteur. Si le test reste négatif, le transmetteur contient un défaut. Si vous utilisez un transmetteur avec sorties de courant, assurez-vous que les sorties sont configurées correctement.



Ne jamais effectuer de calibration (les simulateurs sont en mode read-only).



Ne jamais incrémenter manuellement le compteur de cycles d'autoclavage (toujours quitter le message par « non »). Cette opération est nécessaire seulement si le compteur d'autoclavages a une valeur différente de 0.



Des transmetteurs différents peuvent afficher des valeurs légèrement différentes.



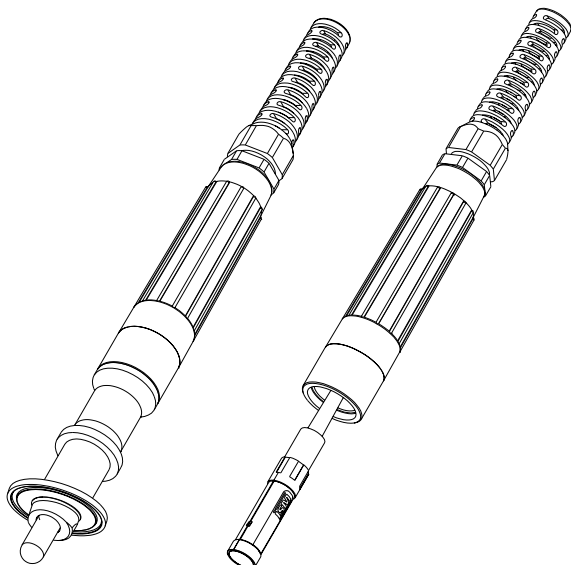
En cas de simulation d'erreurs, le comportement aux erreurs de chaque transmetteur est différent d'après le modèle et en conséquence **d'autres valeurs et / ou messages d'erreur peuvent apparaître.**



Éteindre le filtre d'entrée du transmetteur (seulement pour SIM O₂ TGL, SIM O₂ ppb TGL et SIM O₂ Trace TGL).



Ne pas utiliser les simulateurs après la date de péremption indiquée sur chaque simulateur. Veuillez renvoyer le kit complet pour recalibration à votre représentant METTLER TOLEDO.



Point de mesure avec
électrode METTLER TOLEDO

Simulateur ISM O₂
connecté

Conditions d'utilisation et entreposage:

Température ambiante admissible (opération):

– 25 °C à 60 °C

Température ambiante admissible (entreposage/transport):

– 25 °C à 60 °C

5 Caractéristique du produit

5.1 Simulateur, valeurs pré-enregistrées

No. de commande produit	Désignation	Légende	Valeur OXY	Temp.
Standard (InPro 6850i) SIM O ₂ Kit			Order No. 52 300 416	
52 300 417	SIM O ₂ ZERO	SIM O ₂ ZERO	0%	25 °C
52 300 418	SIM O ₂ AIR	SIM O ₂ AIR	20.95 Vol% 100% (air) sat	40 °C
52 300 419	SIM O ₂ TGL	Toggle Mode 30 sec	0% & 100%	25 °C & 40 °C
52 300 420	SIM O ₂ ERR1	9999 % ...% sat	9999 % ...% sat	25 °C
52 300 421	SIM O ₂ ERR2	9999 % ...% sat	83 % ...% sat	90 °C
Standard (InPro 6900i) SIM O ₂ ppb Kit			Order No. 52 300 422	
52 300 423	SIM O ₂ ppb ZERO	SIM O ₂ ppb ZERO	0%	5 °C
52 300 424	SIM O ₂ ppb AIR	SIM O ₂ ppb AIR	20.95 Vol% 100% (air) sat	25 °C
52 300 425	SIM O ₂ ppb TGL	Toggle Mode 30 sec	0% & 100%	5 °C & 25 °C
52 300 426	SIM O ₂ ppb ERR1	9999 % ...% sat	9999 % ...% sat	25 °C
52 300 427	SIM O ₂ ppb ERR2	9999 % ...% sat	83 % ...% sat	90 °C
Standard (InPro 6950i) SIM O ₂ Trace Kit			Order No. 52 300 428	
52 300 429	SIM O ₂ Trace ZERO	SIM O ₂ Trace ZERO	0%	5 °C
52 300 430	SIM O ₂ Trace AIR	SIM O ₂ Trace AIR	20.95 Vol% 100% (air) sat	25 °C
52 300 431	SIM O ₂ Trace TGL	Toggle Mode 30 sec	0% & 100%	5 °C & 25 °C
52 300 432	SIM O ₂ Trace ERR1	9999 % ...% sat	9999 % ...% sat	25 °C
52 300 433	SIM O ₂ Trace ERR2	9999 % ...% sat	83 % ...% sat	90 °C

5.2 Diagnostics de sonde

Tous les simulateurs O₂ excepté: 52 300 421 (SIM O₂ ERR2), 52 300 427 (SIM O₂ PPB ERR2), 52 300 433 (SIM O₂ TRACE ERR2)

Diagnostics de sonde O₂	Transmetteurs M400 / M420 / M800
Délai de maintenance (TTM)	100 d
Moniteur DLI	2400 d
Minuterie de Cal adaptatif (ACT)	50 d
Durée de service électrode	300 d
Cycles d'autoclavage	1
Cycles NEP	3
Cycles SEP	2
Température max.	130 / 121 °C dd.mm.yyyy (date de production)

Pour les simulateurs O₂ 52 300 421 (SIM O₂ ERR2), 52 300 427 (SIM O₂ PPB ERR2), 52 300 433 (SIM O₂ TRACE ERR2)

Diagnostics de sonde O₂	Transmetteurs M400 / M420 / M800
Délai de maintenance (TTM)	0 d
Moniteur DLI	2300 d
Minuterie de Cal adaptatif (ACT)	0 d
Durée de service électrode	300 d
Cycles d'autoclavage	1
Cycles NEP	3
Cycles SEP	2
Température max.	130 / 121 °C dd.mm.yyyy (date de production)

Tous les simulateurs O₂ excepté: 52 300 421 (SIM O₂ ERR2), 52 300 427 (SIM O₂ PPB ERR2), 52 300 433 (SIM O₂ TRACE ERR2)

Indicateur d'usure O₂	Transmetteur M700 % bar
Usure membrane	~100 %
Usure corps interne	~10 %
Temps d'opération	300 d
Usure diagramme en filet	50 %

Pour les simulateurs O₂ 52 300 421 (SIM O₂ ERR2), 52 300 427 (SIM O₂ PPB ERR2), 52 300 433 (SIM O₂ TRACE ERR2)

Indicateur d'usure O₂	Transmetteur M700 % bar
Usure membrane	~100 %
Usure corps interne	~15 %
Temps d'opération	300 d
Usure diagramme en filet	25 %

5.3 Mises en garde et alarmes

Mises en garde et alarmes	Transmetteurs M300 / M400 / M420
52 300 420 (SIM O ₂ ERR1)	Erreur O ₂ pente > – 30 nA
52 300 426 (SIM O ₂ ppb ERR1)	Erreur O ₂ pente > – 220 nA
52 300 432 (SIM O ₂ Trace ERR1)	Erreur O ₂ pente > – 2000 nA
52 300 421 (SIM O ₂ ERR2)	Calibration nécessaire Maintenance nécessaire
52 300 427 (SIM O ₂ ppb ERR2)	Calibration nécessaire Maintenance nécessaire
52 300 433 (SIM O ₂ Trace ERR2)	Calibration nécessaire Maintenance nécessaire

Mises en garde et alarmes	Transmetteurs M700
52 300 420 (SIM O ₂ ERR1)	Erreur plage de mesure Alarme pente
52 300 426 (SIM O ₂ ppb ERR1)	Erreur plage de mesure Alarme pente
52 300 432 (SIM O ₂ Trace ERR1)	Erreur plage de mesure Alarme pente
52 300 421 (SIM O ₂ ERR2)	Erreur plage de température Alarme usure électrode Alarme ajustage nécessaire
52 300 427 (SIM O ₂ ppb ERR2)	Erreur plage de température Alarme usure électrode Alarme ajustage nécessaire
52 300 433 (SIM O ₂ Trace ERR2)	Erreur plage de température Alarme usure électrode Alarme ajustage nécessaire

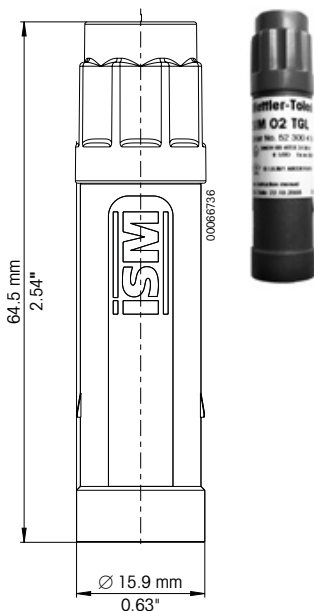
Mises en garde et alarmes	Transmetteurs M800
52 300 420 (SIM O ₂ ERR1)	Erreur pente O ₂ hi Slope > - 30 nA
52 300 426 (SIM O ₂ ppb ERR1)	Erreur pente O ₂ lo Slope > - 220 nA
52 300 432 (SIM O ₂ Trace ERR1)	Erreur pente O ₂ Trace > - 2000 nA
52 300 421 (SIM O ₂ ERR2)	Maintenance néc. Cal. nécessaire
52 300 427 (SIM O ₂ ppb ERR2)	Maintenance néc. Cal. nécessaire
52 300 433 (SIM O ₂ Trace ERR2)	Maintenance néc. Cal. nécessaire



S'il vous plaît se référer à votre manuel d'utilisation du transmetteur pour obtenir des instructions spécifiques.

6 Installation

6.1 Dimensions



Identification

L'autocollant figurant sur chaque simulateur ISM pH fournit les informations suivantes:

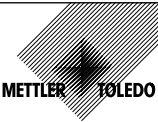
Simulator O2 ZERO		METTLER TOLEDO www.mt.com/gb	
P/N:	52300417		Mettler-Toledo GmbH Im Hackacker 15 CH-8902 Urdorf Switzerland
S/N:	1234567		SEV 14 ATEX 0169X IECEx SEV 14.0026X CML 22 UKEX 2212X See instruction manual!
	HAZ LOC, IS/IL/IB/1/ ABCDEF/G/T6; Ta<=+60°C		
	FM 18US0034X FM 18CAD0021X		
Cal. Date:	02.09.2022		
Cal. Due:	01.09.2023		
MW: 02.00.00	FW: SIM-05.00.00		

7 Informations pour la commande

No. de commande	Désignation	No. de commande	Désignation
52 300 410	SIM pH Kit	52 300 428	SIM O₂ Trace Kit
52 300 411	SIM pH4	52 300 429	SIM O ₂ Trace ZERO
52 300 412	SIM pH7	52 300 430	SIM O ₂ Trace AIR
52 300 413	SIM pH TGL	52 300 431	SIM O ₂ Trace TGL
52 300 414	SIM pH ERR1	52 300 432	SIM O ₂ Trace ERR1
52 300 415	SIM pH ERR2	52 300 433	SIM O ₂ Trace ERR2
52 300 416	SIM O₂ Kit	52 300 422	SIM O₂ ppb Kit
52 300 417	SIM O ₂ ZERO	52 300 423	SIM O ₂ ppb ZERO
52 300 418	SIM O ₂ AIR	52 300 424	SIM O ₂ ppb AIR
52 300 419	SIM O ₂ TGL	52 300 425	SIM O ₂ ppb TGL
52 300 420	SIM O ₂ ERR1	52 300 426	SIM O ₂ ppb ERR1
52 300 421	SIM O ₂ ERR2	52 300 427	SIM O ₂ ppb ERR2
30 031 035	SIM CO₂ Kit		
30 034 395	SIM CO ₂ 15 mbar		
30 038 175	SIM CO ₂ 950 mbar		
30 038 973	SIM CO ₂ TGL		
30 038 974	SIM CO ₂ ERR1		
30 038 975	SIM CO ₂ ERR2		

Les simulateurs seuls ne sont pas disponibles pour la vente.

Protocole



Protocole pour set de qualification ISM O₂

Nom site _____

Fabricant de l'instrument _____

Date d'achat _____

Modèle transmetteur _____

No. série transmetteur _____

Simulateur P/N	Simulateur S/N	Désignation	Variable jusqu'à	Paramètre/s (vérifier tout ceux applicables)

Date/Heure	Acceptable? ⇒ OUI	Acceptable? ⇒ NON	Nom/Signature

Protocole pour set de qualification ISM O₂ © Mettler-Toledo AG, MarCom, Im Hackacker 15, CH-8902 Urdorf. 03/2009 1



Une copie de ce formulaire en format A4 est fournie avec le set de qualification ISM O₂.

For addresses of METTLER TOLEDO
Market Organizations please go to:
www.mt.com/contacts

METTLER TOLEDO Group

Process Analytics

Local contact: www.mt.com/contacts

Subject to technical changes

© 01 / 2023 METTLER TOLEDO

All rights reserved

Printed in Switzerland. 52 300 440 F



Management System
certified according to
ISO 9001 / ISO 14001

**UK
CA** 2503

CE 1258

EAC

www.mt.com/pro

